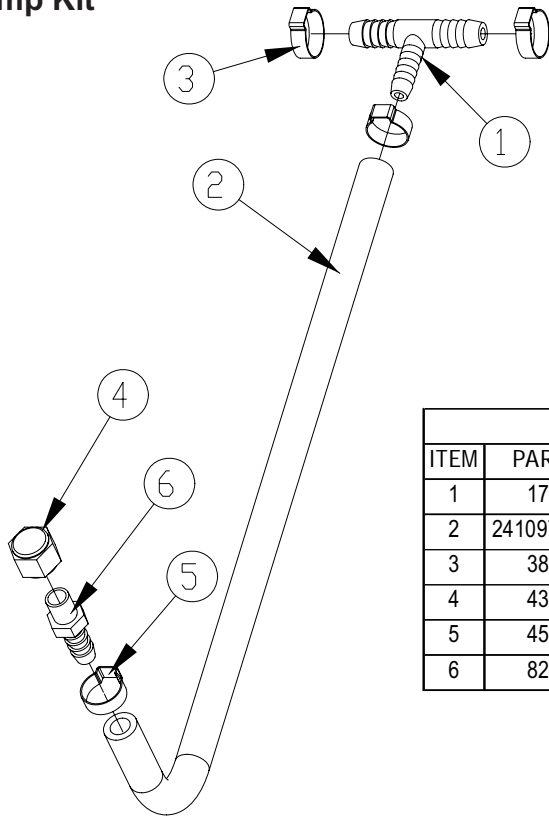
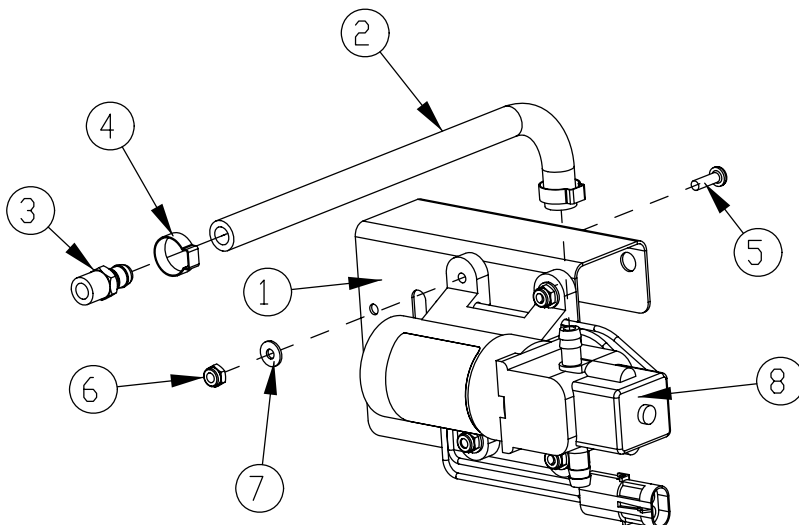
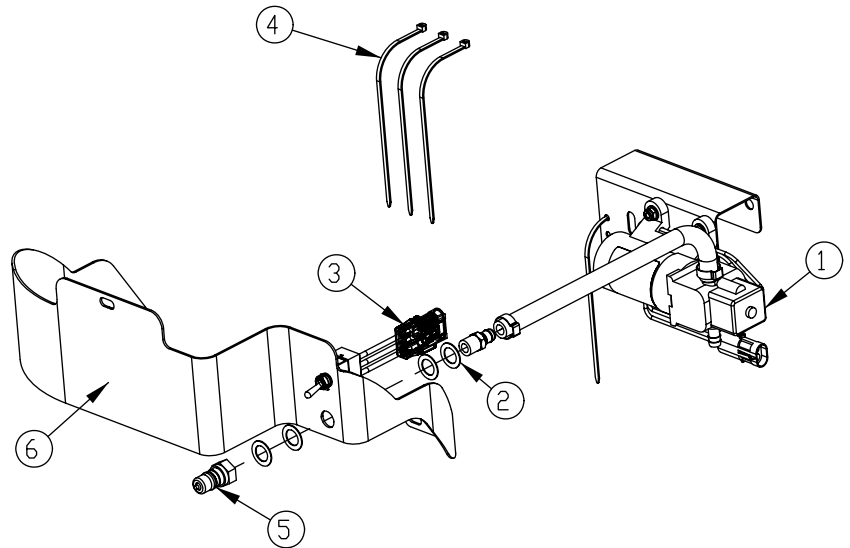


Optional Pump Kit



BILL OF MATERIAL - 172405			
ITEM	PART NO.	REQ'D	DESCRIPTION
1	172400	1	FITTING-TEE 1/2X1/2X3/8HB NYLON
2	241097_PUMP	1	HOSE-WIRE REINF 3/8 X 31"
3	383347	2	CRIMP CLAMP 1/2 HOSE SS 185R
4	430114	1	1/4" FPT PLASTIC CAP
5	450076	2	CLAMP-CRIMP 185R SS
6	828952	1	FITTING PP 1/4" MPT X 3/8" HOSE BARB

BILL OF MATERIAL - K-E1720P			
ITEM	PART NO.	REQ'D	DESCRIPTION
1	172402	1	PUMP ASSY
2	711594	4	WSR-FLAT .56 X .88 X .03
3	747693-1	1	SWITCH ASY, TOGGLE ON-ON SPDT W/ 3P
4	828062-B	4	CABLE TIE LARGE-BLACK
5	828368	1	MALE COUPLER
6	172144FC	1	FRONT PANEL, FOR OAW, E1720



BILL OF MATERIAL - 172402			
ITEM	PART NO.	REQ'D	DESCRIPTION
1	172401-1	1	PUMP BKT ASM
2	320253	1	HOSE-WIRE REINF 3/8 X 14"
3	320264	1	FITTING BRASS - 3/8 DBL BARB X 1/4MPT
4	450076	2	CLAMP-CRIMP 185R SS
5	710356	4	SCR-MC 10-32X.62 STPL
6	711350	4	NUT-NYLOC 10-32
7	712764	4	WSR #10 SS
8	747691	1	PUMP, 24VDC 35PSI 3/8HOSE w/CONNECTOR